



Flatbed Guidelines

In addition to legal loads, Melton is able to handle over-dimensional shipments. We have a fully staffed team of experts in our Over-Dimensional department that routes and permits your shipments for safe, on-time delivery.

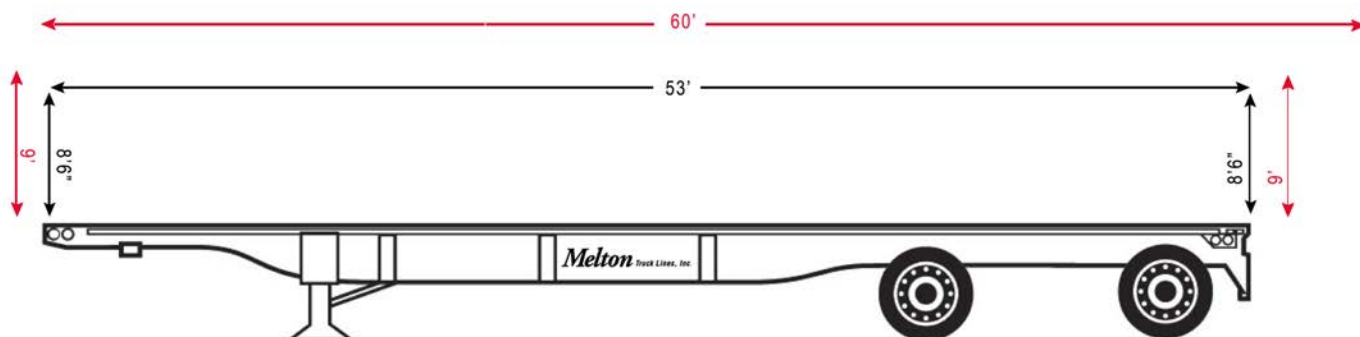
Melton's legal and maximum OD load dimensions for our flatbed trailers are:

LEGAL LOAD DIMENSIONS:

	LENGTH	WIDTH	HEIGHT
FEET	53'	8'6"	8'6"
INCHES	636"	102"	102"
WEIGHT	UP TO 48,000 LBS (21,770 KG)		

MAXIMUM OVER-DIMENSIONAL LOAD DIMENSIONS:

	LENGTH	WIDTH	HEIGHT
FEET	60'	11'	9'
INCHES	720"	132"	108"
WEIGHT	*UP TO 54,000 LBS (24,494 KG)		



- Melton flatbeds can load up to 65' long material, but the load must be under 38,000 lbs to scale legally and must be self-supporting material.
- If a load is over 10'5" wide, it must be under 5'0" high so our driver can see behind it.
- Additional charges will apply on over-dimensional shipments.



Melton
Truck Lines, Inc.

***WEIGHT MUST BE FROM A SINGLE PIECE**